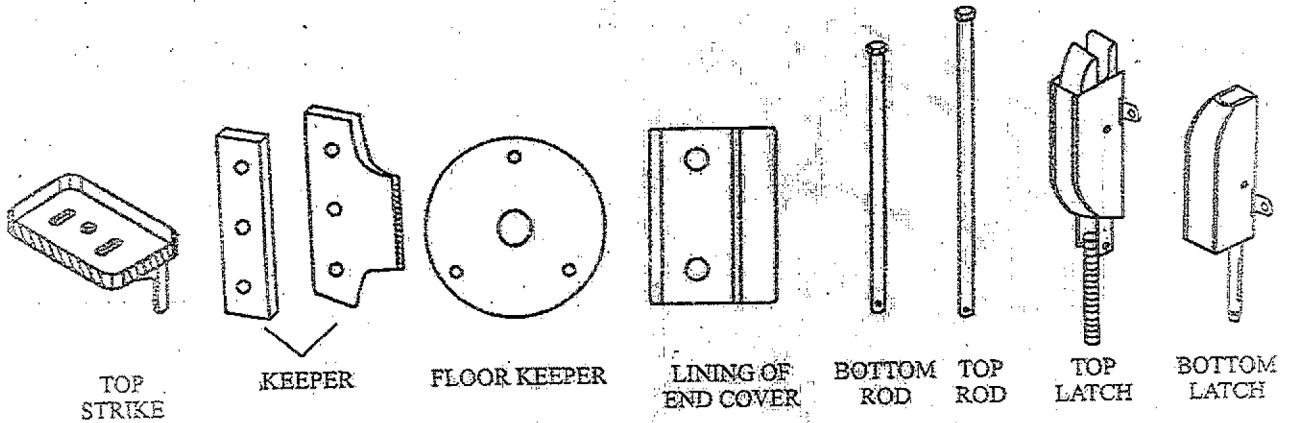
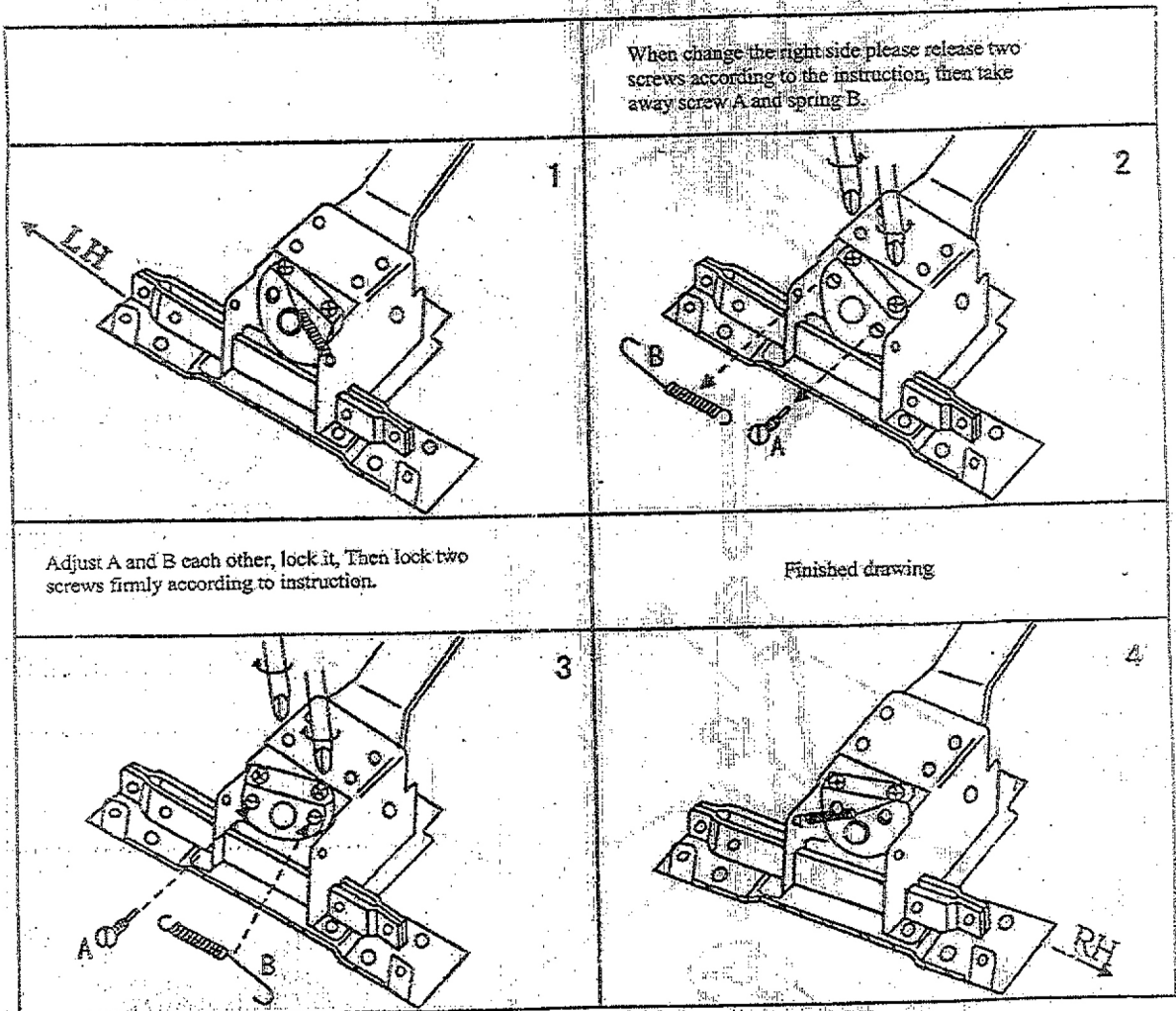


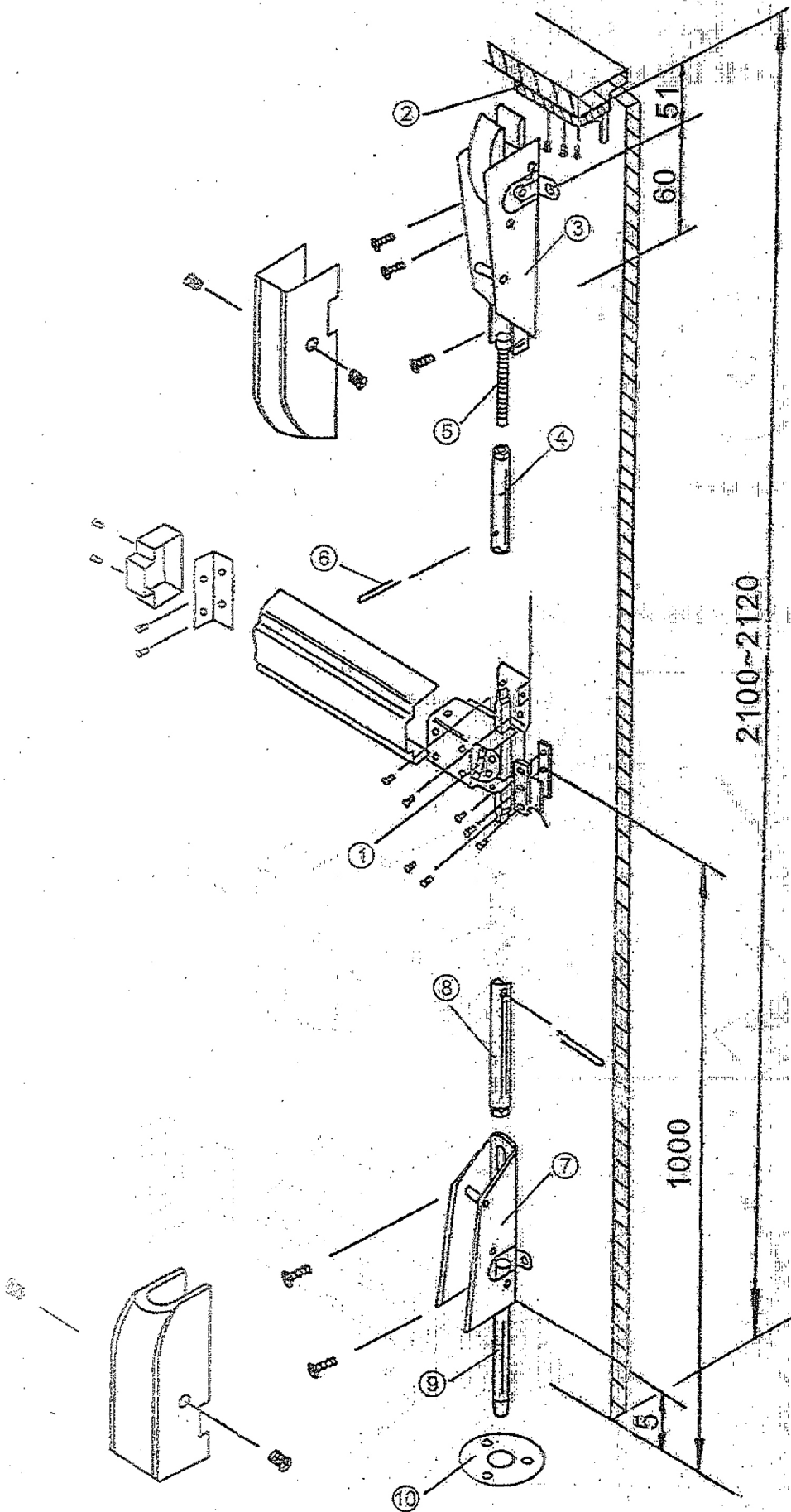
# PANIC EXIT DEVICE

## INSTRUCTION FOR DUAL DOOR INSTRUCTION



### POSITION OF KEEPER FOR LEFT HAND INSTRUCTION AND RIGHT HAND INSTRUCTION





1. To fix size and place of screw hole for lock body, install the body on the surface of door. The distance between center of lock body & the bottom of door is 1000 mm. The length of body decided by the width of door.

2. After install the lock body, the head of lock to the facet of door is 42mm. Notice ③ screw must be lie on the upper side of the body. It must be discharged if its at the down side, and then fixed at the upper side. After operating the screw must be firmed again.

3. ② top strike must be plumb to the center line of lock body, and installed at the upper doorframe. The inner facet of top strike to the lever of door about 3.5mm after the door closed.

4. After ④ top rod and ⑤ of top latch adjusted screw bar and connected together, the other side use ⑥ to connect the lock body, it can test the function of the function of the top latchbolt. The rod can use flex of screw bar to adjust the appropriate functions. After confirmed the function then bend ⑥.

5. ⑦ bottom latch installed at the bottom of door. ⑧ bottom rod also use the connection function of the ⑥, ⑨ can wedge into the hole of floor directly, and then adjust the appropriate function. At last bend ⑥.

6. After installation, the hole of bottom rod can use ⑩ floor keeper fix at floor.

7. Push the body can open & close the door. After open the door, the bottom rod will hook onto upper section automatically.

8. The length of top rod is 920mm. The lenth of bottom rod is 850mm.

9. The appropriate range for the height of door is 2100-2120mm.

10. The length of top latch need to be ordered if the height of door is not in this range.